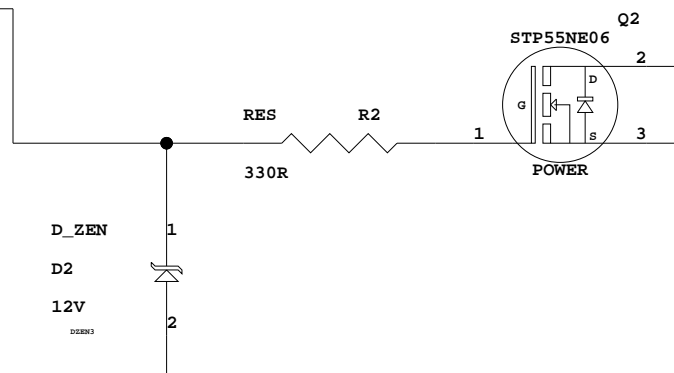
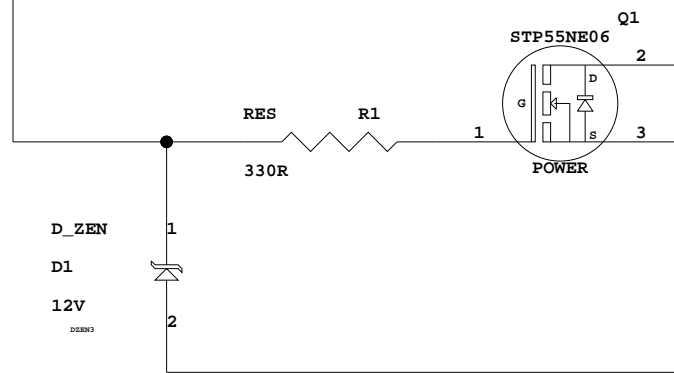
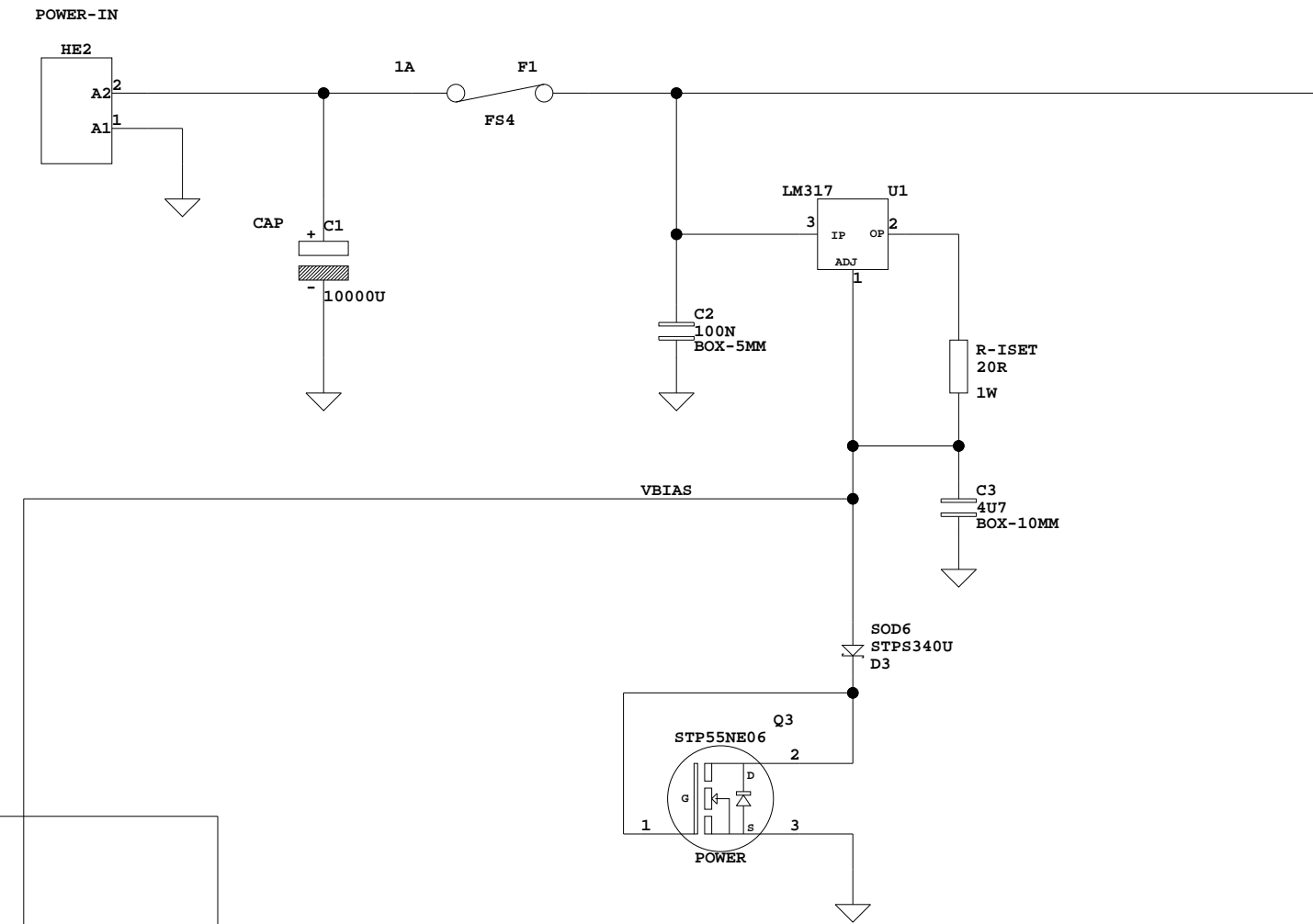
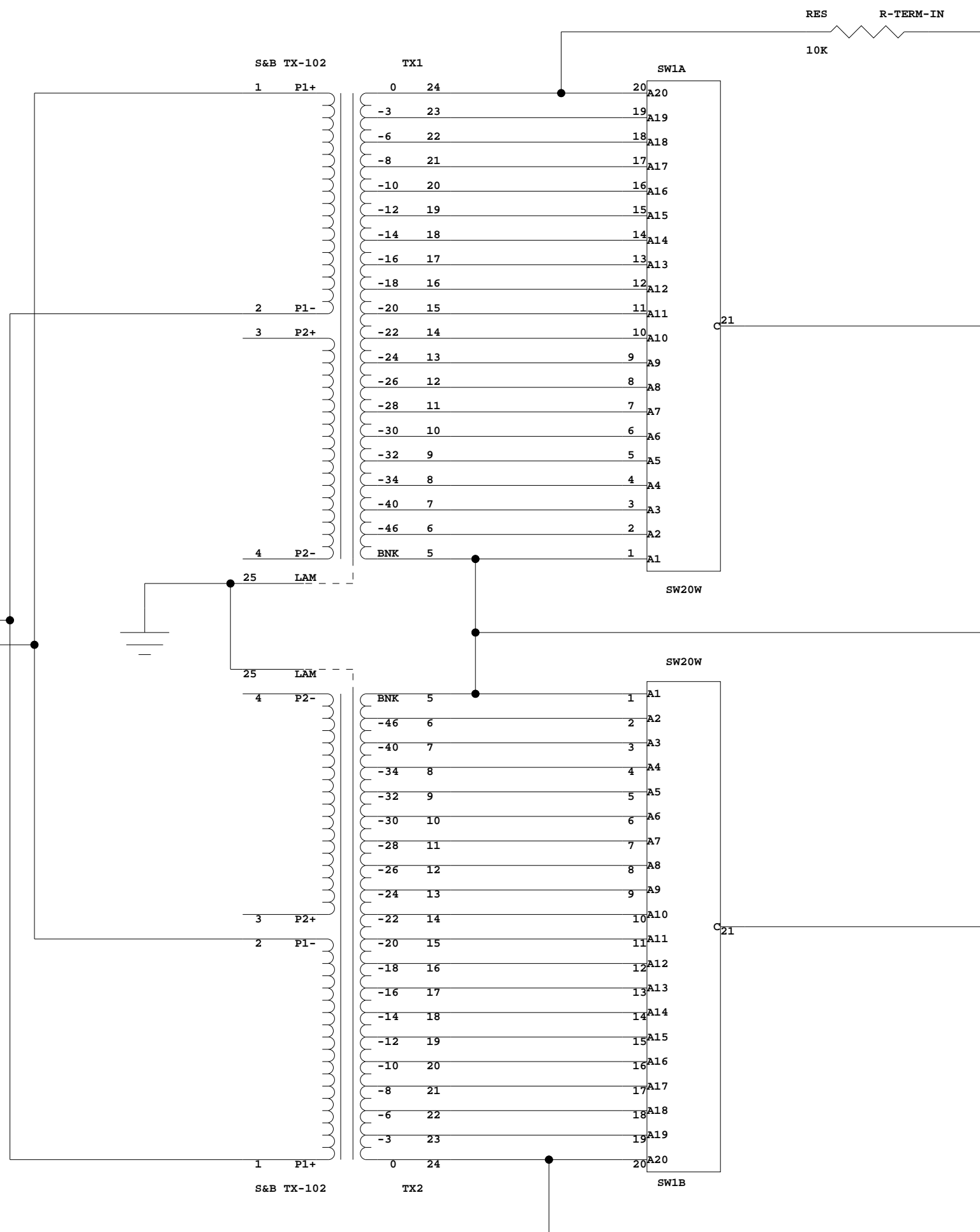
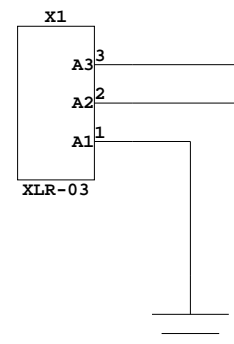
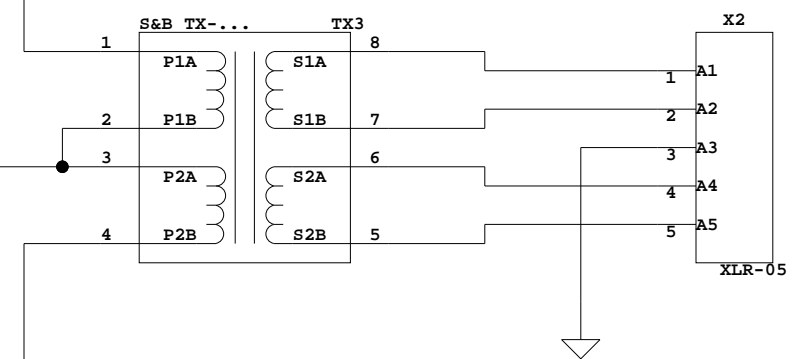


Line Input



600/150 ohm Line Out



Output Transformer - 1:1 for 600 ohm / 2:1 for 150 ohm